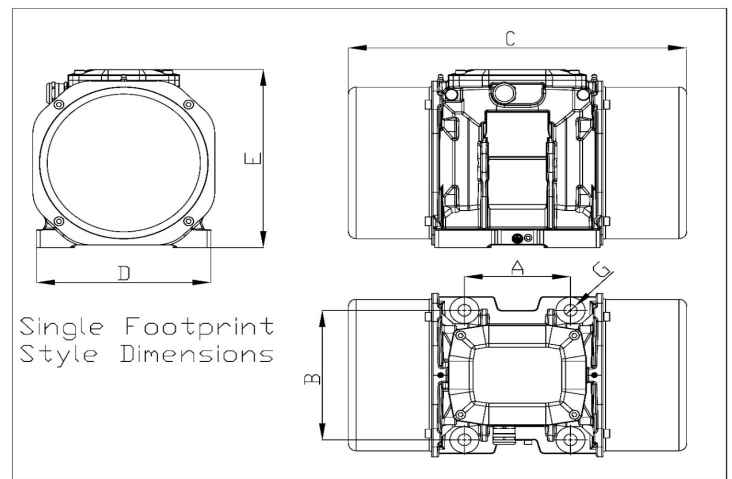
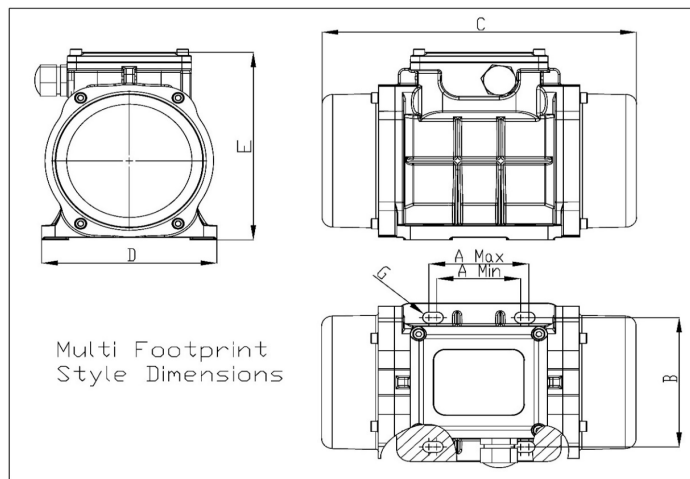


ETS Heavy Duty Rotary Electric Vibrators 8 Poles - 900 RPM @ 60 HZ 230/460 3 Phase



Questions contact us at: **814-899-2103**
 Email: info@erietechnicalsystems.com
 website: www.bulkfilling.com

DIMENSIONAL INFORMATION (All Dimensions are in Inches)									Technical Information		Force and Weight Information	
MODEL	OLI MODEL NUMBER	A	B	G (Dia.)	HOLES	C	D	E	INPUT HP	UNBALANCE (IN*LB)	Force Output (Pounds)	Weight (Pounds)
ETS 330/8E	MVE 330/8E-40A0	4.13	5.51	0.51	4	12.99	6.69	7.72	0.34	14.49	333	45
ETS 550/8E	MVE 550/8E-50A0	4.72	6.69	0.67	4	15.39	8.19	8.27	0.4	24.71	567	63
ETS 880/8E	MVE 880/8E-50A0	4.72	6.69	0.67	4	17.91	8.19	8.27	0.4	36.47	838	75
ETS 1430/8E	MVE 1430/8E-60A0	5.51	7.48	0.67	4	17.56	9.06	10.24	0.6	59.59	1,369	140
ETS 2000/8E	MVE 2000/8E-60A0	5.51	7.48	0.67	4	19.29	9.06	10.24	0.72	81.47	1,872	153
ETS 2900/8E	MVE 2900/8E-70A0	2.64	8.86	0.89	4	22.17	10.83	11.42	1.21	130.03	2,987	199
ETS 4620/8E	MVE 4620/8E-75A0	6.10	10.04	0.93	4	27.24	11.97	12.36	1.61	202.87	4,661	332
ETS 6820/8E	MVE 6820/8E-80A0	7.09	11.02	1.02	4	26.89	13.07	13.94	3.08	295.29	6,784	443
ETS 8360/8E	MVE 8360/8E-80A0	7.09	11.02	1.02	4	28.86	13.07	13.94	4.02	363.9	8,360	483
ETS 9240/8E	MVE 9240/8E-85A0	7.87	12.6	1.10	4	27.72	15.16	15.83	4.36	403.53	9,270	591
ETS 11660/8E	MVE 11660/8E-85A0	7.87	12.6	1.10	4	27.72	15.16	15.83	5.77	505.74	11,618	637
ETS 14300/8E	MVE 14300/8E-85A0	7.87	12.6	1.10	4	30.47	15.16	15.83	5.63	623.2	14,317	679
ETS 22000/8E	MVE 22000/8E-90A0	4.92	14.96	1.54	6*	37.72	17.8	16.34	10.06	1003.04	21,940	931
ETS 25400/8E	MVE 25400/8E-100A0	5.51	17.32	1.77	6*	40.16	20.87	19.06	10.73	1107.94	25,454	1,219
ETS 32100/8E	MVE 32100/8E-105A0	5.51	18.9	1.77	8*	41.73	22.44	21.34	14.21	1397.55	32,106	1,598
ETS 39000/8E	MVE 39000/8E-105A0	5.51	18.9	1.77	8*	44.09	22.44	21.34	14.75	1701.55	39,085	1,746
ETS 49800/8E	MVE 49800/8E-110A0	5.51	20.47	1.77	8*	44.49	24.02	23.39	22.13	2169.55	49,846	2,066
ETS 58300/8E	MVE 58300/8E-110A0	5.51	20.47	1.77	8*	44.49	24.02	23.39	22.13	2542.1	58,938	2,165



* For 6 and 8 hole vibrators the "A" dimension is the center distance between each hole

All Vibrators are designed and tested to conform to Class II, Div 2, Group F&G electrical area classifications.
 Motors operate at < 60 Decibels.
 All Dimensions subject to change without notice.
 All weights are adjustable from 0-100% force output.
 All motors are rated continuous duty at Maximum setting.