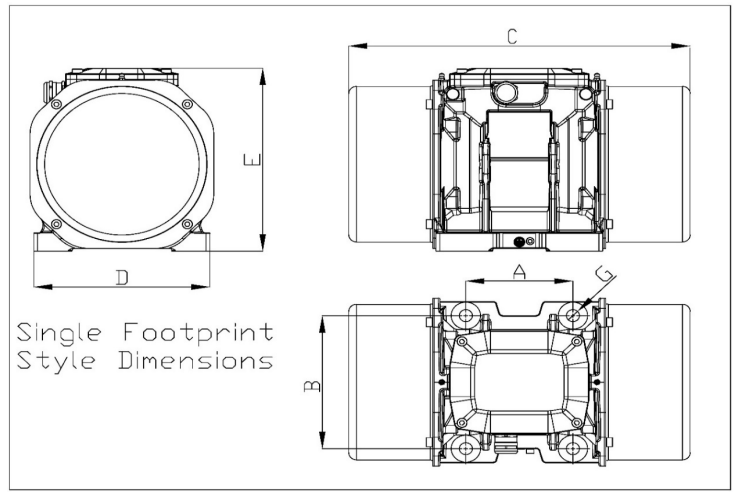
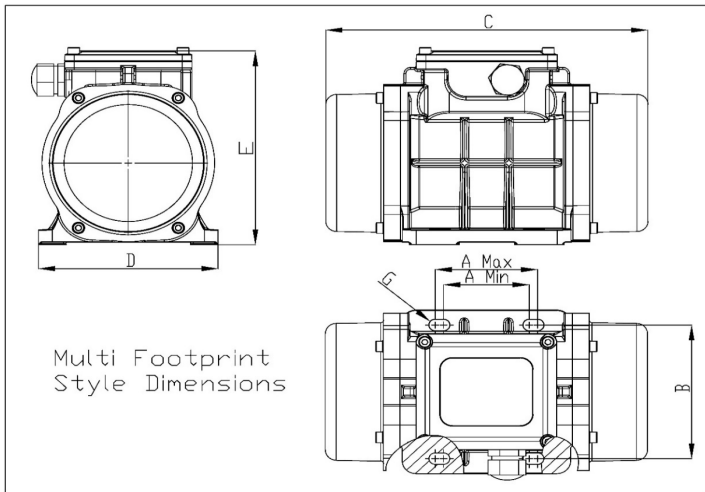


**ETS Heavy Duty Rotary Electric Vibrators 2 Poles - 3600 RPM @ 60 HZ 230/460 3 Phase**



Questions contact us at: 814-899-2103  
 Email: info@erietechnicalsystems.com  
 website: www.bulkfilling.com

DIMENSIONAL INFORMATION (All Dimensions are in Inches)									Technical Information		Force and weight Information	
MODEL	OLI Model Number	A	B	G (Hole Dia.)	# Of Holes	C	D	E	INPUT HP	UNBALANCE (IN*LB)	Force Output (Pounds)	Weight (Pounds)
		Multiple Footprint										
ETS 160/2E	MVE 160/2E-40A0	2.44-2.91	4.17	0.35	4	8.39	5.12	5.31	0.1	0.43	157	9
		1.3	3.27-4.02	0.28								
		Multiple Footprint										
ETS 220/2E	MVE 220/2E-10A0	2.44-2.91	4.17	0.35	4	8.39	5.12	5.31	0.14	0.57	209	11
		1.38	3.27-4.02	0.28								
ETS 440/2E	MVE 440/2E-20A0	2.64	4.17	0.35	4	9.17	5.12	6.06	0.24	1.13	417	15
		Multiple Footprint										
ETS 690/2E	MVE 690/2E-30A0	3.15	4.33	0.43	4	10.00	5.91	6.81	0.38	1.94	712	22
		3.54	4.92	0.51								
		4.88	4.33	0.43								
		5.31	4.53	0.43								
		Multiple Footprint										
ETS 890/2E	MVE 890/2E-30A0	3.15	4.33	0.43	4	10.79	5.91	6.81	0.44	2.47	906	23
		3.54	4.92	0.51								
		4.88	4.33	0.43								
		5.31	4.53	0.43								
ETS 1200/2E	MVE 1200/2E-40A0	4.13	5.51	0.51	4	12.99	6.69	7.72	0.78	3.20	1,177	35
ETS 1700/2E	MVE 1700/2E-40A0	4.13	5.51	0.51	4	12.99	6.69	7.72	0.82	4.59	1,687	36
ETS 1800/2E	MVE 1800/2E-30A0	4.72	6.69	0.67	4	12.64	8.19	8.27	1.13	4.80	1,764	45
ETS 2300/2E	MVE 2300/2E-50A0	4.72	6.69	0.67	4	12.64	8.19	8.27	1.54	6.08	2,233	47
ETS 3100/2E	MVE 3100/2E-60A0	4.72	6.69	0.67	4	12.64	8.19	8.27	1.85	8.07	3,009	48
ETS 3500/2E	MVE 3500/2E-60A0	5.51	7.48	0.67	4	15.83	9.06	10.24	2.15	9.64	3,545	109
ETS 4100/2E	MVE 4100/2E-60A0	5.51	7.48	0.67	4	15.83	9.06	10.24	2.82	11.98	4,403	111
ETS 5100/2E	MVE 5100/2E-60A0	5.51	7.48	0.67	4	15.83	9.06	10.24	3.29	13.83	5,084	112
ETS 7600/2E	MVE 7600/2E-75A1	6.1	10.04	0.98	4	20.31	11.97	12.36	3.89	19.05	7,002	224
ETS 8800/2E	MVE 8800/2E-75A1	6.1	10.04	0.98	4	20.31	11.97	12.36	3.89	24.30	8,933	229
ETS11500/2E	MVE 11500/2E-75A1	6.1	8.07	0.93	4	20.31	11.97	12.36	5.36	30.28	11,129	233
ETS 14400/2E	MVE 14400/2E-85A0	7.87	12.60	1.10	4	24.57	15.16	15.83	7.38	39.30	14,445	506
ETS 20100/2E	MVE 20100/2E-86A0	7.87	12.60	1.10	4	24.57	15.16	15.83	12.47	56.23	20,668	517



All Vibrators are designed and tested to conform to Class II, Div 2, Group F&G electrical area classifications.  
 Motors operate at < 60 Decibels.  
 All Dimensions subject to change without notice.  
 All weights are adjustable from 0-100% force output.  
 All motors are rated continuous duty at Maximum setting.